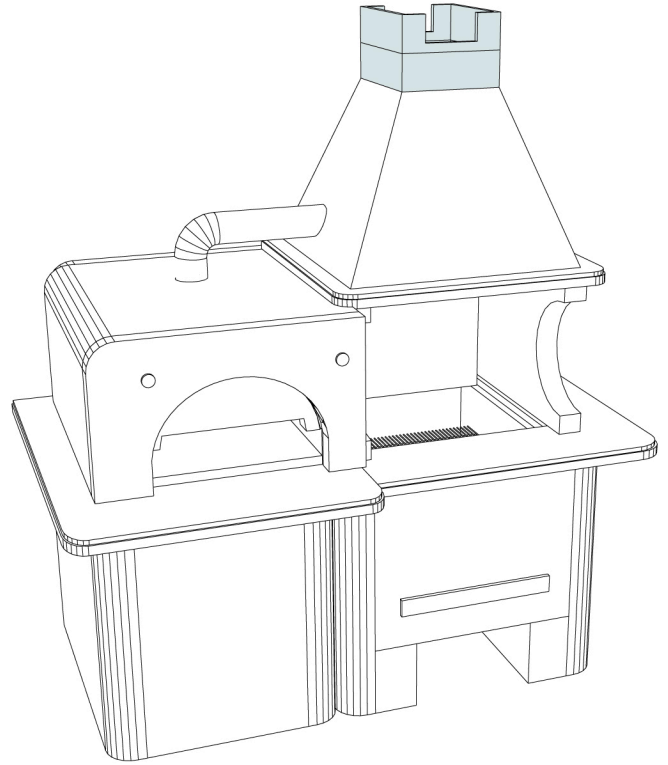
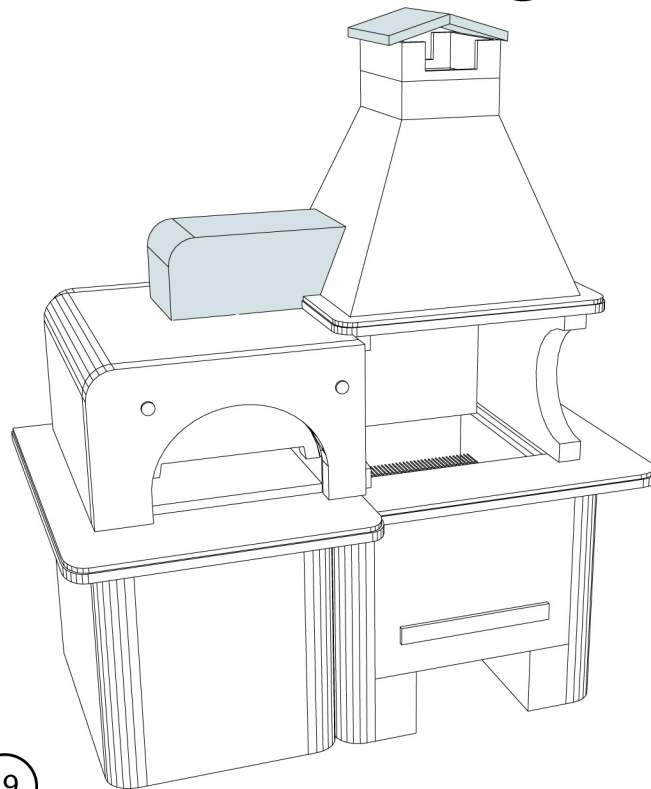


17.



18.



19.



**WILDWOOD**

*Fired Pizza Ovens & BBQ's*

DESCRIPTION

Catalina - Assembly Diagram

DATE

11-12-05

REV

SCALE

NTS

SHEET

A5 of 5