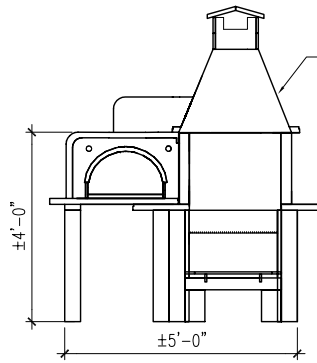


OPTIONAL DECORATIVE CERAMIC TILE FINISH ON APRON COMPONENTS



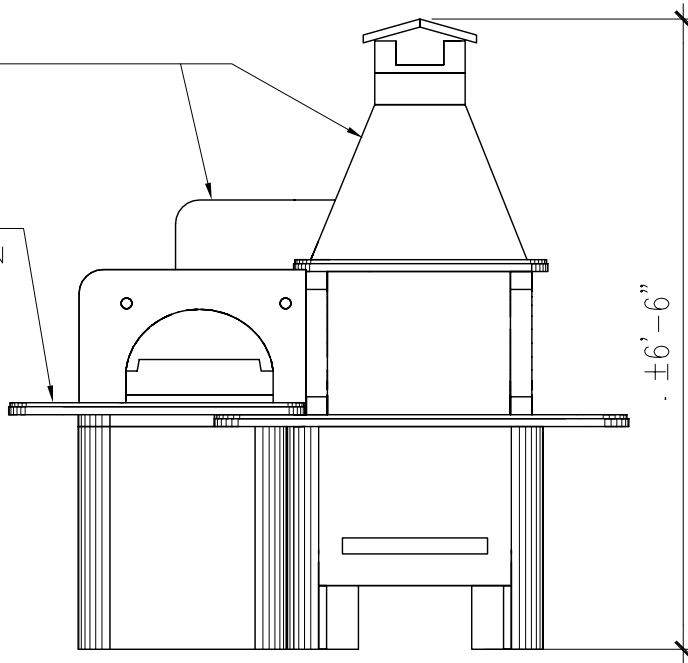
COMPONENT SEAMS SEALED WITH FIBERGLASS TAPE PRIOR TO APPLICATION OF INTEGRATED PLASTER FINISH.

3 PLAN  
1/4" = 1'-0"

2 SECTION  
1/4" = 1'-0"

OPTIONAL PLASTER FINISH WITH INTEGRATED COLOR

OPTIONAL DECORATIVE CERAMIC TILE ON APRON COMPONENTS



1 ELEVATION  
1/2" = 1'-0"



**WILDWOOD**

*Fired Pizza Ovens & BBQ's*

DESCRIPTION		CATALINA	
DATE	02-07-06	REV	1
SCALE	1/4" = 1'-0"	SHEET	A1